

Ref. Nr. 150.572



WI-POWERHOUSE BATTERY 2.4GHZ DMX

MANUAL

Thank you for purchasing our company products. Please read these instructions carefully to enjoy optimum performance and a longer service life before you start to use.

CONTENTS

CONTENTS 2

Unpacking Inspections 3

 Unpacking instructions 3

 Checking the contents of the carton: 3

Safety Instructions 3

Product Overview 4

Functions Introductions 4

 Main Functions 4

Operation Instructions 5

 Frequency selection 5

 Auto frequency selection 5

 Cancel matching 5

 Match with multiple groups 5

 One transmitter and multiple Wi-Powerhouses 5

 Functions for 3-pin XLR female connectors 5

 Four-pin DC Connector 6

Maintenance 6

Specification 6

CE & R&TTE Declaration of Conformity 7



UNPACKING INSPECTIONS

Unpacking instructions

- Please unpack the carton and check the goods carefully when you receive it , if discover packing damage, shortage or quality problem, please notify the shipper and reject the goods.
- Before using this product, please read the instructions carefully and keep it in a safe place for future reference.

Checking the contents of the carton:

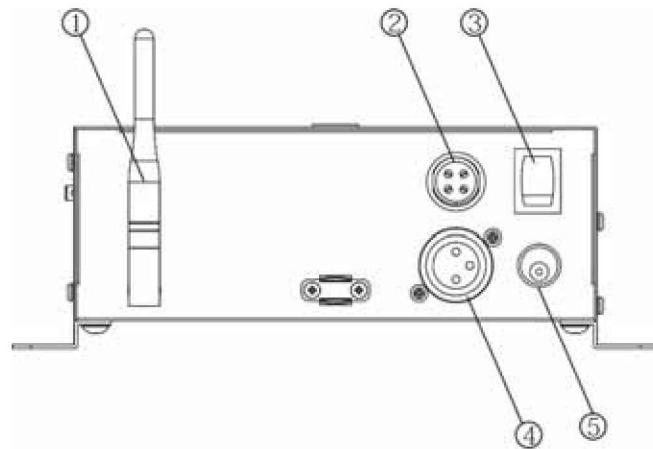
The product, Adapter, Instruction Manual



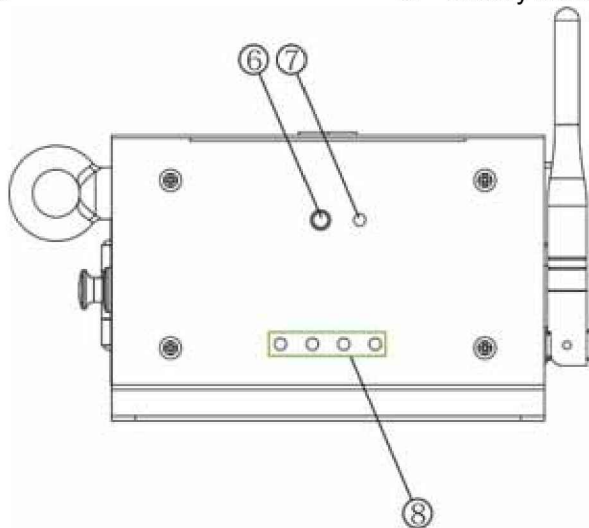
SAFETY INSTRUCTIONS

- Safety and regulatory power socket with high quality output should be used .
- Always connect the product to a grounded circuit to avoid the risk of electrocution.
- Never put tiny metal objects such as a screwdriver, iron wire and coins, etc. into the internal or stretch into the machine in case of short circuit .
- Please make sure to connect the proper voltage and do not higher or lower than that stated on the decal or rear panel of the product .
- Avoid hitting, crashing or squeezing with other objects in transportation. Never carry the product from the power cord or any moving part . Always use the hanging / mounting bracket or the handles.
- The product is used in door only .
- Never pull or tug on the cord and change it for another one , stop using it when it is damaged or becomes hot .
- Stop using the product once there is sparks when connecting with the power plug .
- Can not operate product with wet hands and never place it near the water or other liquid.
- Make sure there are no flammable materials close to the fixture while operating . Always install it in a location with adequate ventilation.
- Never replace the lighting source with different specification and rating when the original one is damaged.
- Make sure to power off before replacing the light source or the fuse. Never do it while it is on.
- The ambient temperature is no more than 40°C(104°F) .
- Never clean the fixture by water, thinner or other dissolved agent .
- Stop using the product in case of a serious operating problem and send it to our maintenance agent immediately. Never repair by non-professional workers .
- Avoid direct eye exposure to the light source while the product is on.

PRODUCT OVERVIEW



- | | |
|-----------------------------------|----------------------|
| 1. Antenna | 5. DC Power input |
| 2. Four-Pin 12V output connection | 6. 'Clear' button |
| 3. Power on/off | 7. Signal |
| 4. DMX signal output | 8. Battery indicator |



FUNCTIONS INTRODUCTIONS

Main Functions

- Auto frequency selection
- With receive functions and 16 working frequencies.
- Can receive signal wirelessly

OPERATION INSTRUCTIONS

Input power 12V DC (AC-DC Adapter)

The functions of the Wi-Powerhouse are adjusted by the "clear" button.

Frequency selection

Auto frequency selection

Press the button <AUTO> on the panel of the wireless transmitter until the signal flashes, which means the frequencies of the two fixtures have already matched successfully.

With memory save functions of the Wi-Powerhouse, if the matching data is not removed, the two fixtures can match to work all the time. You do not need to rematch next time.

Cancel matching

Press the button <clear> on the panel until the signal indicator does not flash, which means the matching data has been cancelled. So the Wi-Powerhouse can work to match with other transmitters.

Match with multiple groups

Match a group of Wi-Powerhouse and transmitters firstly when you make many groups match to work (Disconnect the power supply of others and only keep one group), and then turn on another group, never power on for matching at the same time. You can power off for the already matched fixtures and you can also make them not power off.

One transmitter and multiple Wi-Powerhouses

Match the transmitter with one Wi-Powerhouse firstly and then power off the Wi-Powerhouse after matching, match another Wi-Powerhouse with the transmitter, so one transmitter can work with multiple Wi-Powerhouse after finishing matching.

Note:

Make sure the distance of the transmitter and Wi-Powerhouse is between 0.6 and 10 meters when matching and they can be used far away after matching successfully.

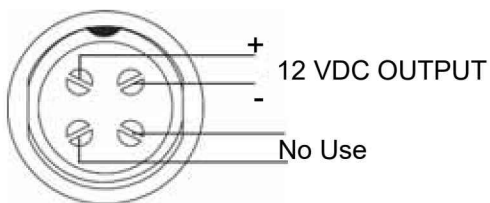
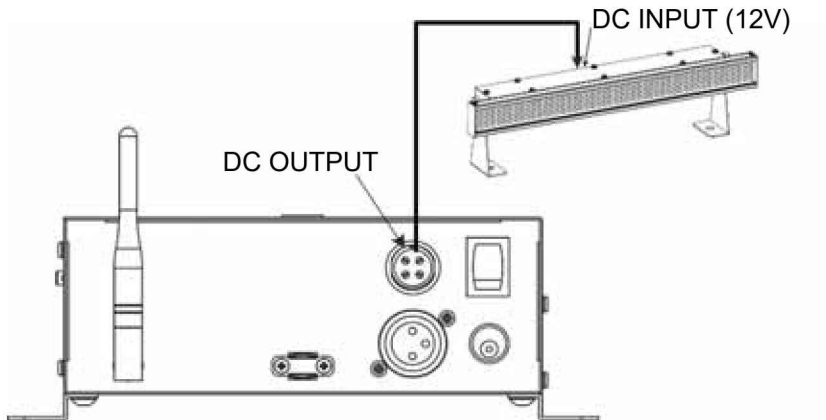
With memory save functions, the work mode and frequency band are kept before power off.

Functions for 3-pin XLR female connectors

DMX512 signal output

1: DMX Signal coverage, 2: DMX signal -, 3: DMX signal +

Four-pin DC Connector



MAINTENANCE

The unit should be cleaned periodically to ensure the optimum performance, the smudginess can decrease the life of light and the output of light is affected by the dust which can make the machine overheating. In general, make the maintenance at least two times a month. Be sure to power off the unit before cleaning .

Do not clean until the unit recovers normal temperature since high temperature for using, use the lens tissue or soft cotton cloth with alcohol to wipe gently.

Cleaning frequency depends on the environment in which the fixture operates, damp, smoky or dirty surrounding can cause greater accumulation of dirt on the optics. Never rub or press strongly on the panel.

SPECIFICATION

Charger Input Voltage 100-240V AC 50/60Hz
Output Voltage..... 12VDC / 2A
Power..... 1.68W
Built-in lithium battery12V 8.8Ah
Wireless DMX frequency2.433GHz – 2.481GHz
Distance:..... R-T signal far from 250 meters
Weight..... 1.58kg
Size..... L210 x W110 x H72mm



tronios
Sound & Light

CE & R&TTE DECLARATION OF CONFORMITY

Importer: TRONIOS BV
Bedrijvenpark Twente 415
7602 KM - ALMELO

Tel : 0031546589299
Fax : 0031546589298
The Netherlands

Product number: 150.572

Product Description: Beamz, Wi-PowerHouse Battery 2.4GHz DMX

Regulatory Requirement: EN 60598-1/-2-17:2009
EN 62031:2008
EN 61347-2-13:2007
EN 300440-1/-2:2010
EN 62479:2010
EN 55015:2006/A2:2009
EN61547:2009

The product meets the requirements stated in the above mentioned Standards. This certificate does not cover the aspects that may be relevant such as performance and fitness for purpose.

Almelo,

10-03-2012

Signature:

Specifications and design are subject to change without prior notice..

www.tronios.com

Copyright © 2013 by TRONIOS the Netherlands